

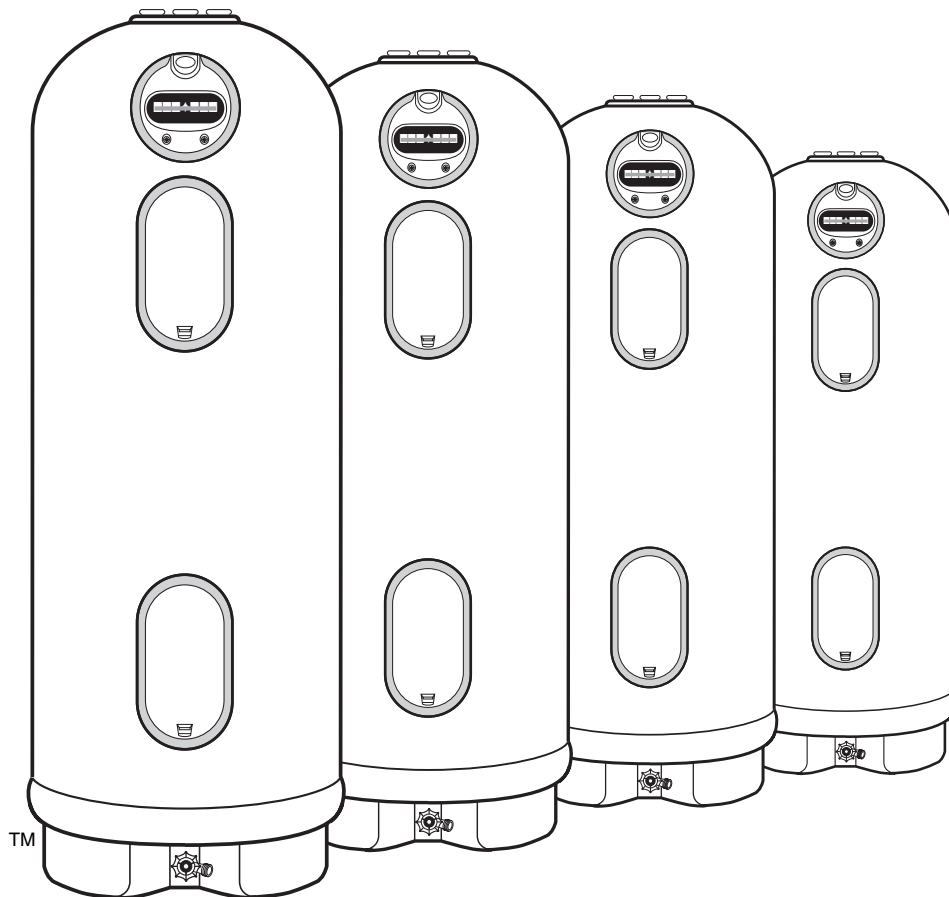
Non-Metallic Electric Water Heater

USE & CARE MANUAL

WITH INSTALLATION INSTRUCTIONS FOR THE INSTALLER

Residential Electric Models
30 - 105 Gallon Capacity

**ATTENTION
INSTALLERS:**
This New, Modern
Appliance Requires
Care In Installation.
Please Read All
Instructions
Carefully.



The purpose of this manual is twofold: one, for the installer, to provide requirements and recommendations for the proper installation and adjustment of the water heater; and two, for the owner-operator, to explain the features, operation, safety precautions, maintenance and trouble shooting of the water heater. This manual also includes a parts list supplement.

It is imperative that all persons who are expected to install, maintain, operate or adjust this water heater read the instructions carefully so that they may understand how to do so.



Recognize this symbol as an Indication of Important Safety Information!



Do Not Destroy this Manual. Please read carefully and keep in a safe place for Future Reference.

Table of Contents

General Safety Precautions	1
Introduction	2
Installation Instructions	
Thermal Expansion	2
Water Supply Connections	4
Temperature and Pressure Relief Valve	4
Drain Valve	4
Filling Water Heater	5
Electrical Connections	5
Wiring Diagrams	6
Pipe Wrap Energy Kit	7
Installation Checklist	7
Operation	
Safety Precautions	8
Thermal Performance	8
Setting the Water Temperature	8
Safety Controls	10
Emergency Instructions	10
Vacation and Long Time Shut-Down	10
Draining the Water Heater	10
Maintenance	
Routine Preventive Maintenance	11
Temperature and Pressure Relief Valve	11
Heating Elements	12
Trouble Shooting Guide	13
Wiring Schematic Diagrams	6
WarrantySee Separate Supplement
SpecificationsSee Separate Supplement
Repair PartsSee Separate Supplement

Abbreviations found in this Instruction Manual

U.L. — Underwriters Laboratories, 333 Pfingsten Rd., Northbrook, IL 60062

National Electrical Code — This publication is available from your local government, public library, electric company, or by writing to U.L.

A.N.S.I. — American National Standards Institute

A.S.M.E. — American Society of Mechanical Engineers.



General Safety Precautions

Be sure to read and understand the entire Use & Care Manual before attempting to install or operate this water heater. It may save you time and cost. Pay particular attention to the General Safety Precautions. Failure to follow these warnings could result in serious bodily injury or death. Should you have problems understanding the instructions in this manual, or have any questions, STOP, and get help from a qualified installer, service technician, or the local electric utility.

WATER TEMPERATURE ADJUSTMENT - Safety and energy conservation are factors to be considered when selecting the water temperature setting of water heater's thermostat. Water temperatures above 125°F. can cause severe burns or death from scalding. Be sure to read and follow the warnings outlined on the label pictured below. This label is also located on the water heater near the thermostat access panel

TIME / TEMPERATURE RELATIONSHIPS IN SCALDS

Temperature	Time to Produce Serious Burn
120° F.	More than 5 minutes
125° F.	1 1/2 to 2 minutes
130° F.	About 30 seconds
135° F.	About 10 seconds
140° F.	Less than 5 seconds
145° F.	Less than 3 seconds
150° F.	About 1 1/2 seconds
155° F.	About 1 second

Table courtesy of Shriners Burn Institute

The chart shown above may be used as a guide in determining the proper water temperature for your home.

NOTE: Households with small children, disabled, or elderly persons may require a 120°F. or lower thermostat setting to prevent contact with "HOT" water.

The temperature of the water in the heater is regulated by the adjustable surface mounted thermostat(s) located behind the Jacket Access Panel(s). Dual element heaters have two thermostats. To comply with safety regulations the thermostat(s) were set at 120° F. before the water heater was shipped from the factory.

DANGER

Water temperature over 125°F can cause severe burns instantly or death from scalds.

Children, disabled and elderly are at highest risk of being scalded.

See instruction manual before setting temperature at water heater.

Feel water before bathing or showering.

Temperature limiting valves are available, see manual.

DANGER

There is a Hot Water SCALD Potential if the thermostat is set too high.

Mixing valves for reducing point of use water temperature by mixing hot and cold water in branch water lines are available. Contact a licensed plumber or the local plumbing authority for further information.

WARNING

After installing, do not turn on or operate the water heater unless the temperature and pressure relief is in place and operating properly, you have properly installed the drain pipe on the temperature and pressure relief valve, the vacuum relief valve has been installed, and you have completely filled the water heater with water.

WARNING

HAZARD OF ELECTRICAL SHOCK! Before removing any access panels or servicing the water heater, make sure the electrical supply to the water heater is turned "OFF". Failure to do this could result in property damage, bodily injury or death.

Introduction

Thank you for buying your non-metallic electric water heater. Your new water heater is made of the latest materials and will not rust or corrode. It will give many years of hot water service when installed, operated and maintained according to the instructions in this manual.

Your water heater is completely assembled and ready to install. This manual provides the general instructions for installation. Because of several variables, such as the installation location, existing piping, and local codes, it is impossible to provide exact instructions for everyone's specific needs. For this reason, it is suggested that the entire manual be read prior to beginning any installation work, then carefully plan the installation. This can help to avoid costly mistakes including damage to the water heater, not covered under terms of the warranty.

Almost all new products (automobiles, boats, clothing, plastic and wood items, etc.) have an odor or smell to them for a time. This water heater may also have a "new" smell or odor to it due to the non-metallic materials used in the manufacturing process. This "new" smell is not harmful, and will disappear in a short time.

The vacuum valve, which must be used when installing the water heater, is factory installed.

The location chosen for the water heater must take into consideration the following:

LOCAL INSTALLATION REGULATIONS

This water heater must be installed in accordance with these instructions, local codes, utility company requirements or, in the absence of local codes, the latest edition of the National Electrical Code. It is available from some local libraries or can be purchased from the National Fire Prevention Association, Batterymarch Park, Quincy, MA 02269 as booklet ANSI/NFPA 70.

LOCATION

Locate the water heater in a clean dry area as near as practical to the area of greatest heated water demand. Long uninsulated hot water lines can waste energy and water. Place the water heater in such a manner that the thermostat and element access panels can be removed to permit inspection and servicing

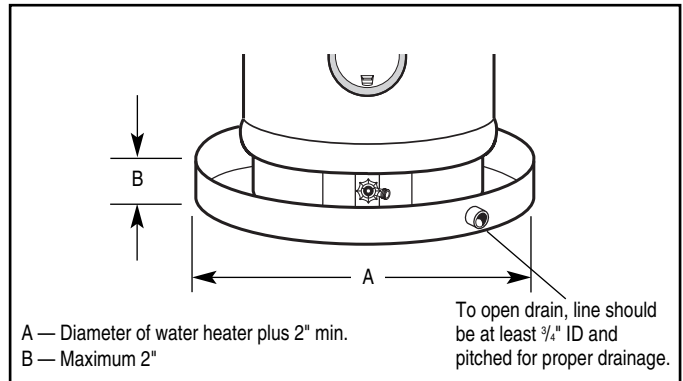


Figure 1. — Auxiliary Drain Pan

such as removal of elements or checking controls. The water heater and water lines should be protected from freezing temperatures. Do not install the water heater in outdoor, unprotected areas, or near any other appliances where high temperature are present, such as wood burning stoves, boilers or furnaces. High temperatures can warp or otherwise damage the non-metallic construction of this water heater.

CAUTION

The water heater should not be located in an area where leakage of the tank or connections will result in damage to the area adjacent to it or to lower floors of the structure. Where such areas cannot be avoided, it is recommended that a suitable drain pan, adequately drained, be installed under the water heater.

NOTE: Auxiliary drain pan installation MUST conform to local codes.

Drain Pan Kits are available at your local retail outlet or service center.

Installation

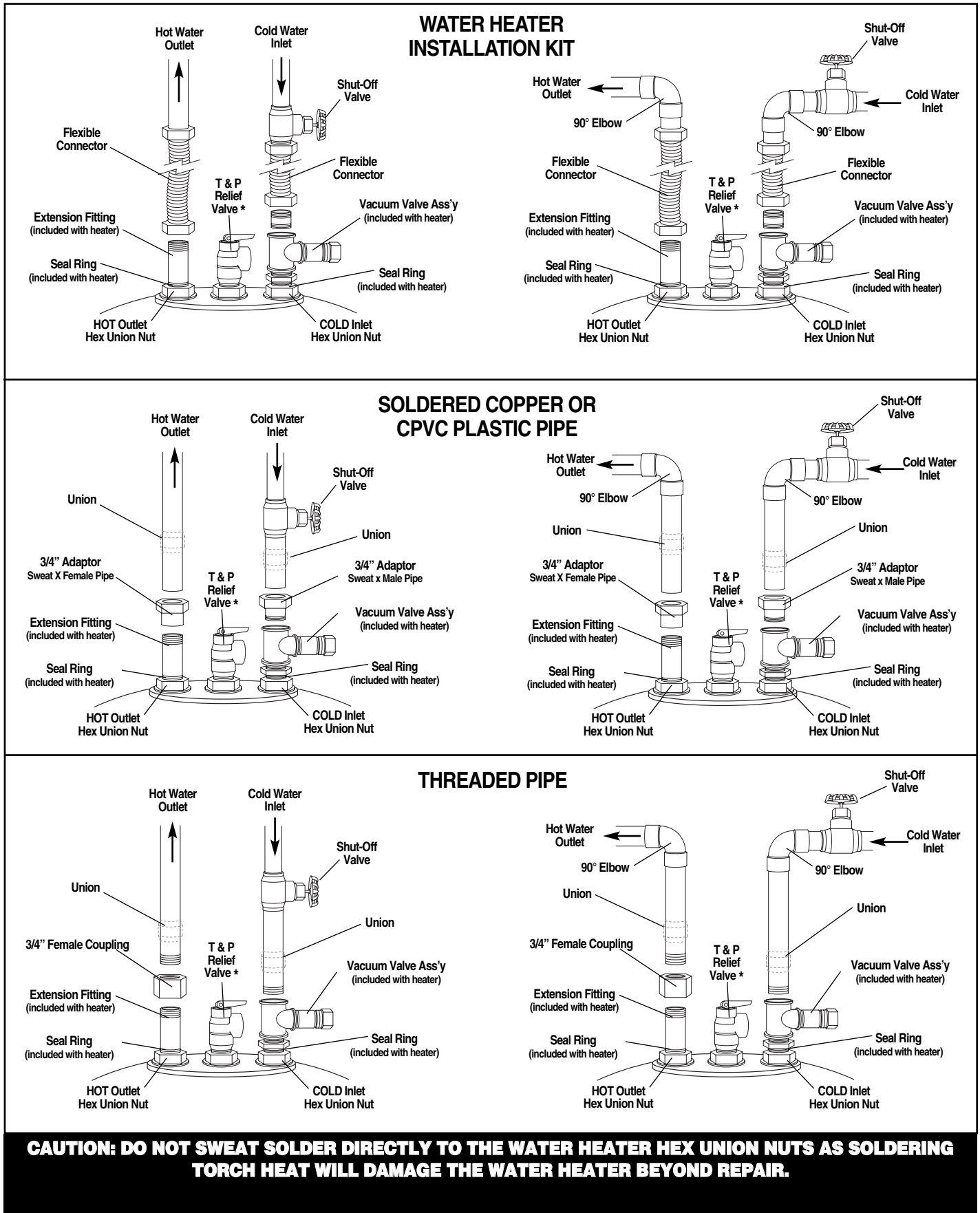
- 1. INSPECT SHIPMENT** — Inspect water heater for possible damage. Check the markings on the rating plate of the water heater to be certain the power supply corresponds to that for which the water heater is equipped.
- 2. THERMAL EXPANSION** — **Determine if a check valve exists in the inlet water line.** It may have been installed in the cold water line as a separate back flow preventer, or it may be part of a pressure reducing valve, water meter or water softener. A check valve located in the cold water inlet line can cause what is referred to as a "closed water system". A cold water inlet line with no check valve or back flow prevention device is referred to as an "open" water system.

As water is heated, it expands in volume and creates an increase in the pressure within the water system. This action is referred to as "thermal expansion". In an "open" water system, expanding water which exceeds the capacity of the water heater flows back into the city main where the pressure is easily dissipated.

A "closed water system", however, prevents the expanding water from flowing back into the main supply line, and the result of "thermal expansion" can create a rapid, and dangerous pressure increase in the water heater and system piping. This rapid pressure increase can quickly reach the safety setting of the relief valve, causing it to operate during each heating cycle. Thermal expansion, and the resulting rapid, and repeated expansion and contraction of components in the water heater and piping system can cause premature failure of the relief valve, and possibly the heater itself. Replacing the relief valve **will not** correct the problem!

The suggested method of controlling thermal expansion is to install an expansion tank in the cold water line between the water heater and the check valve. The expansion tank is designed with an air cushion built in that compresses as the system pressure increases, thereby relieving the over pressure condition and eliminating the repeated operation of the relief valve. Other methods of controlling thermal expansion are also available. Contact your installing contractor, water supplier, or plumbing inspector for additional information regarding this subject.

Installation



* See Temperature & Pressure (T & P) Relief Valve section for drain pipe installation details.

Figure 2 — Typical installation methods using Water Heater Installation Kit (top), Soldered Copper or CPVC Pipe (center), or Threaded Pipe (bottom).

Installation

3. **WATER SUPPLY CONNECTIONS** — Refer to Fig. 2 for suggested typical installation. The installation of unions or flexible copper connectors is recommended on the hot and cold water connections so that the water heater may be easily disconnected for servicing if necessary. The HOT and COLD water connections are clearly marked and are 3/4" NPT on all models. Install a shut-off valve in the cold water line near the water heater.

NOTE: If the incoming water pressure is over 80 PSI, be sure to install a pressure reducing valve (water pressure regulator) somewhere in the inlet water line upstream of the water heater.

COLD WATER SUPPLY LINE TO HEATER — The cold water inlet has a factory installed vacuum relief valve in it. (Refer to Figure 2) Certain conditions, such as a break in the main water supply line, pump failure on a well system or other plumbing system malfunctions could produce a vacuum or negative pressure in the water heater's tank. The vacuum relief valve provides a means to eliminate the negative pressure or vacuum in the event of such a failure by admitting air into the tank to equalize the pressure.

NOTE: DO NOT remove the vacuum valve for any reason. Doing so will void the manufacturer's warranty!

Run the cold water supply line to the top of the vacuum valve using the piping of choice for this installation as shown in Figure 2. Be sure to install a shut-off valve (not supplied with the heater) in the cold water line near the water heater.

IMPORTANT!! Do not apply heat directly to the vacuum valve connection. If sweat connections are used, sweat tubing to adapter before fitting adapter to vacuum valve on heater. Any heat applied to the vacuum relief valve and cold water fittings will permanently damage them and/or the tank.

The connection between the vacuum valve and the water heater uses a seal ring. If unions are not used on the water supply lines, the vacuum valve can be removed from the heater to accommodate final connection to supply piping. The hex union fitting on the water heater can then be used to make the connection between the tank and the valve/supply piping. Remember to use the seal ring provided with the heater when re-installing the vacuum valve and water inlet piping. **DO NOT** use pipe sealant on this joint!

IMPORTANT! – DO NOT attempt to turn the pipe or fittings after the hex union nuts are tightened. Doing so will damage the water heater beyond repair!

HOT WATER SUPPLY LINE FROM WATER HEATER— The hot water outlet has a factory installed extension fitting. Run the hot water supply line to the top of the extension fitting using the piping of choice for this installation as shown in Figure 2.

IMPORTANT! – Do not apply heat directly to the extension fitting. If sweat connections are used, sweat tubing to adapter before fitting adapter to extension fitting on heater. Any heat applied to the extension fitting and hot water fittings will permanently damage them and/or the tank.

The connection between the extension fitting and the water heater uses a seal ring. If unions are not used on the water supply lines, the extension fitting can be removed from the heater to accommodate final connection to hot water supply piping. The hex union fitting on the water heater can then be used to make the connection between the tank and the piping system. Remember to use the seal ring provided with the heater when re-installing the vacuum relief valve and water inlet piping. **DO NOT** use pipe sealant on this joint!

IMPORTANT! – DO NOT attempt to turn the pipe or extension piece after the hex union nuts are tightened. Doing so will damage the water heater beyond repair!

4. **RELIEF VALVE** — A relief valve is essential for safety and to protect the water heater. Too high of a temperature and/or pressure could cause the tank to burst. The relief valve is designed to automatically open if temperature and/or pressure reaches a pre-determined point (a temperature of 210°F, or pressure of 150 PSI)

A new combination temperature and pressure relief valve, complying with the Standard for Relief Valves and Automatic Gas Shutoff Devices for Hot Water Supply Systems, ANSI Z21.22, has been factory installed in the opening provided and marked for the purpose on the water heater. (Refer to Figure 2)

⚠ WARNING

DO NOT operate the water heater unless the Temperature and Pressure relief valve is installed properly and working correctly. Doing so will result in an unsafe operating condition that can result in property damage, bodily injury or death!

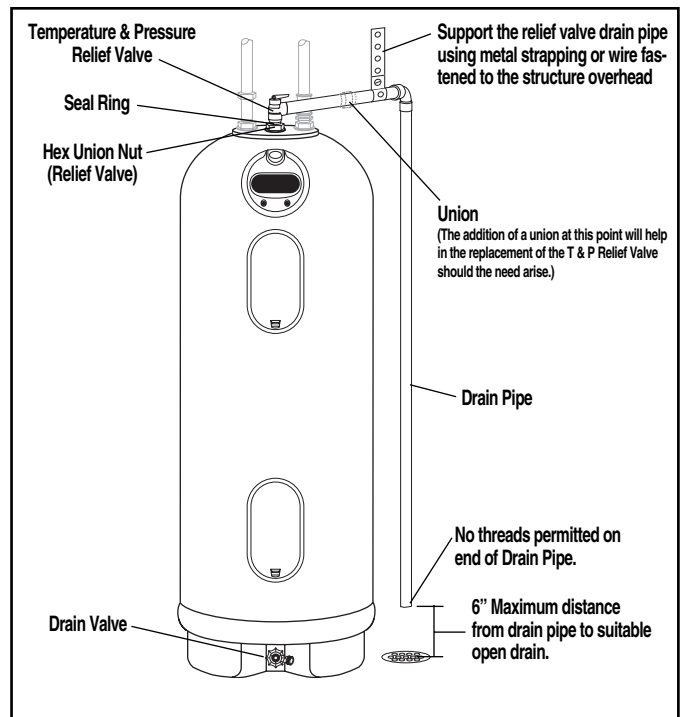


Figure 3 — Typical method of supporting relief valve drain pipe.

DRAIN PIPE FROM RELIEF VALVE — Connect the outlet of the relief valve to a suitable open drain so that the discharge water cannot contact live electrical parts and to eliminate potential water damage (check Local Codes regarding Relief Valve discharge methods). Piping used should be of a type approved for hot water distribution. The discharge line must be no smaller than the outlet of the valve and must pitch downward from the valve to allow complete drainage (by gravity) of the relief valve and discharge line. The end of the discharge line should not be threaded or concealed and should be protected from freezing. No valve of any type, restriction or reducer coupling should be installed in the discharge line.

Following all of the above rules, install the drain valve discharge piping, using thread sealer on all male threads.

IMPORTANT!! Do not apply heat directly to the relief valve connection. If sweat connections are used, sweat tubing to adapter before fitting adapter to relief valve on heater. Any heat applied to the relief valve will permanently damage it and/or the tank.

Installation

To prevent stress on the relief valve fitting, which may damage the tank, support the drain pipe using metal strapping or similar method to an overhead point. Refer to Figure 3 for typical strapping method.

NOTE: Local codes shall govern the installation of relief valves.

If the Temperature and Pressure Relief Valve should ever need replacing, use only a valve specified by local codes, but not less than a new combination temperature and pressure relief valve, complying with the Standard for Relief Valves and Automatic Gas Shutoff Devices for Hot Water Supply Systems, ANSI Z21.22. The pressure rating of the relief valve must not exceed 150 PSI, the maximum working pressure of the water heater as marked on the rating plate. The BTUH Rating of the relief valve must not be less than the input rating of the water heater as indicated on the rating label located on front of the heater (1 watt = 3.412 BTUH).

- DRAIN VALVE** — The drain valve is factory installed. If required, to face the drain valve outlet in a different direction, loosen the union hex nut, position drain valve outlet as desired, and retighten union hex nut.

NOTE: DO NOT attempt to turn the drain valve without first loosening the union hex nut. Doing so could damage the water heater beyond repair.

- TO FILL WATER HEATER** — Make certain drain valve is completely closed. Open shut-off valve in cold water supply line. Open each hot water faucet slowly to allow air to vent from the water heater and piping. A steady flow of water from the hot water faucet(s) indicates a full water heater. When the water heater is completely filled, close the faucet(s). Check all plumbing work for leaks, and repair as necessary before proceeding with installation.

⚠ WARNING

Tank MUST BE full of water before power is turned on. Heating elements WILL BE DAMAGED if energized for even a short time while tank is dry. The water heater's warranty does not cover damage or failure resulting from operation with an empty or partially empty tank. (Reference is made to the limited warranty for complete terms and conditions.)

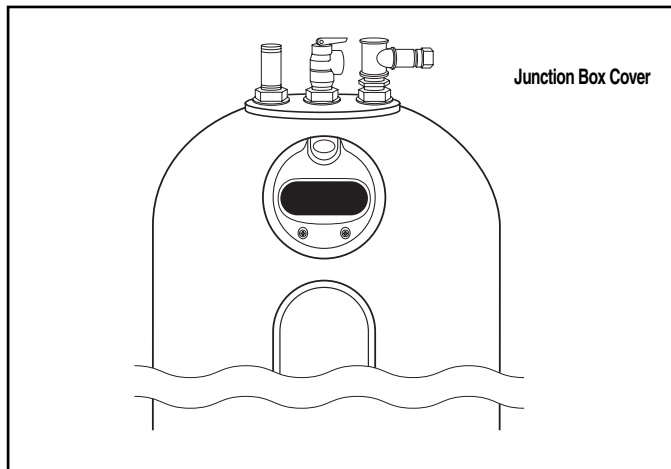


Figure 4 — Water heater junction box location.

- ELECTRICAL CONNECTIONS** — The water heater is completely wired to the junction box inside jacket at top front of water heater (see Figure 4). An opening for a 1/2" or 3/4" electrical fitting is provided for field wiring connections. A separate branch circuit with copper conductors, overcurrent protective device and suitable disconnecting means must be provided by a qualified electrician. The voltage requirements and wattage load for the water heater is specified on the rating plate on front of heater. Be certain that the

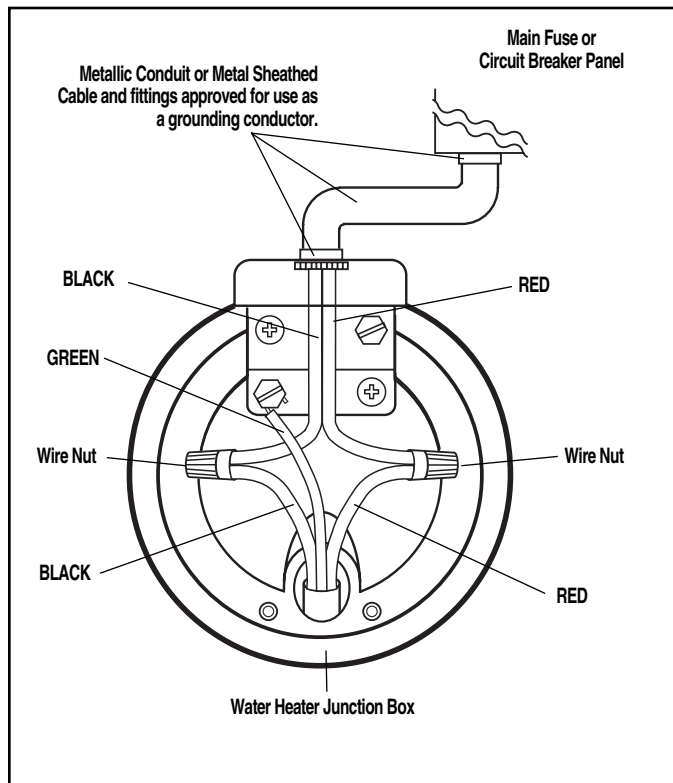


Figure 5A— Water heater field wiring connections using metallic conduit or metallic sheathed cable approved for use as a grounding conductor and installed with fittings approved for the purpose.

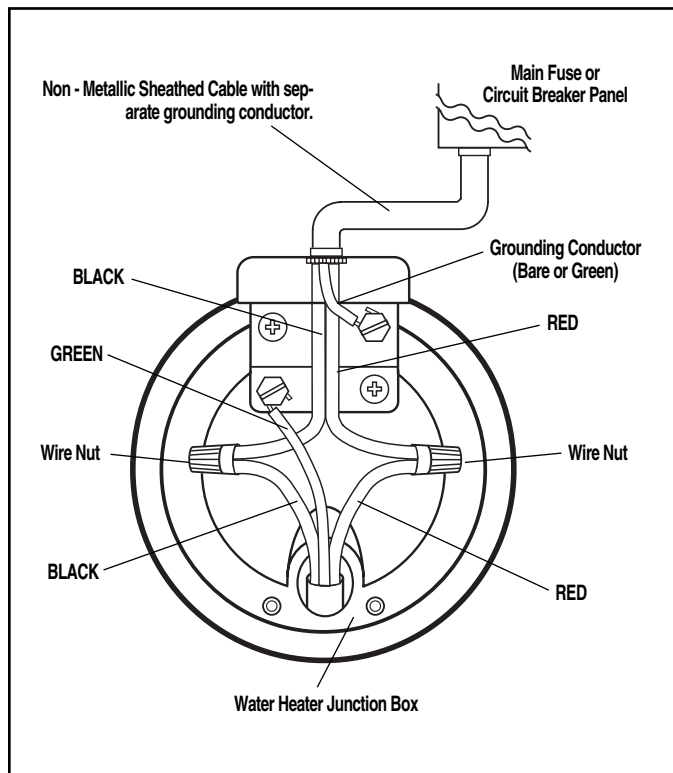


Figure 5B— Water heater field wiring connections using non-metallic sheathed cable and separate grounding conductor. Grounding conductor must be attached to the ground terminal of water heater and the electrical distribution panel.

Installation

The complete wiring schematic diagram for standard non-simultaneous operation units is shown below in Figure 6.

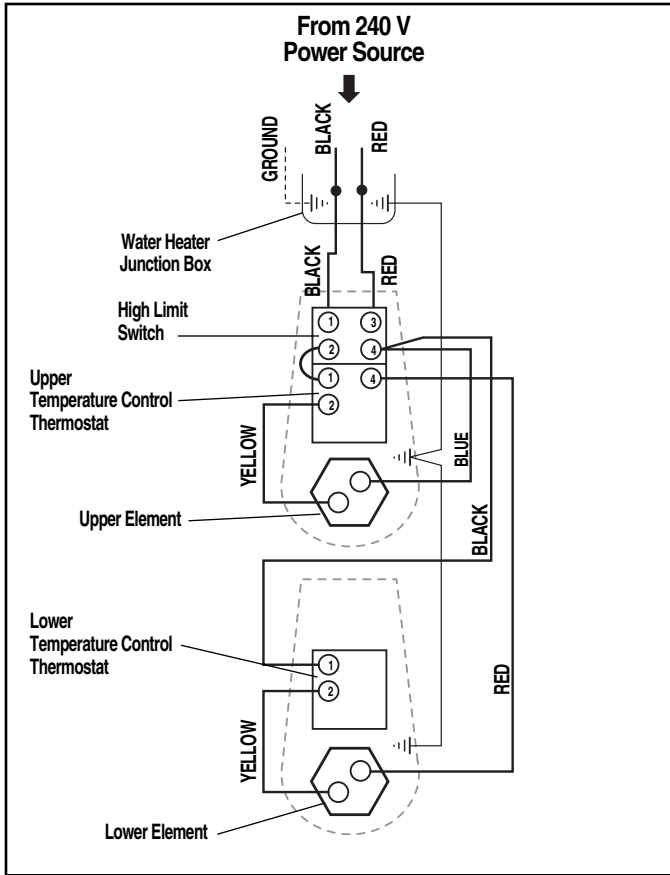


Figure 6 — Complete Wiring Schematic Diagram — Standard Non-Simultaneous Operation.

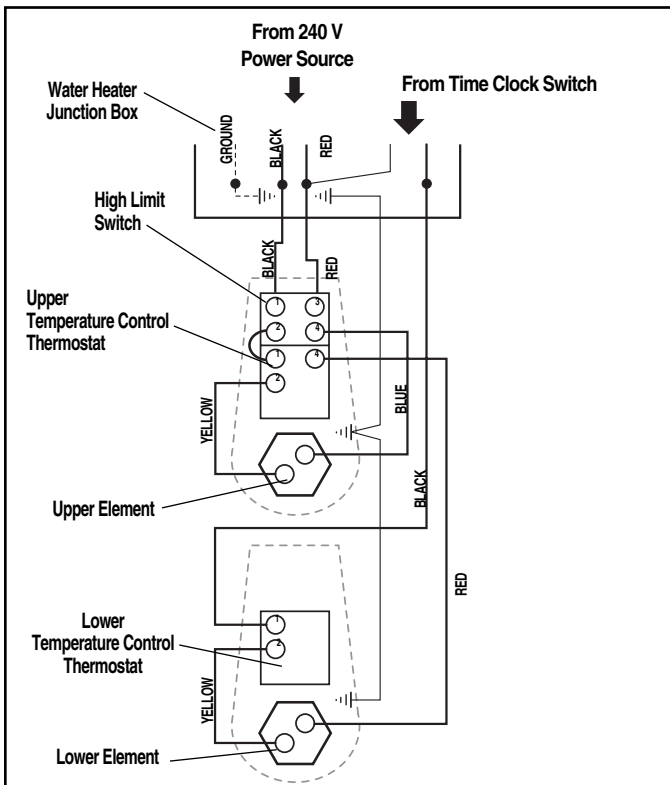


Figure 7 — Complete Wiring Schematic Diagram — Non-Simultaneous Operation on separate Time Switch.

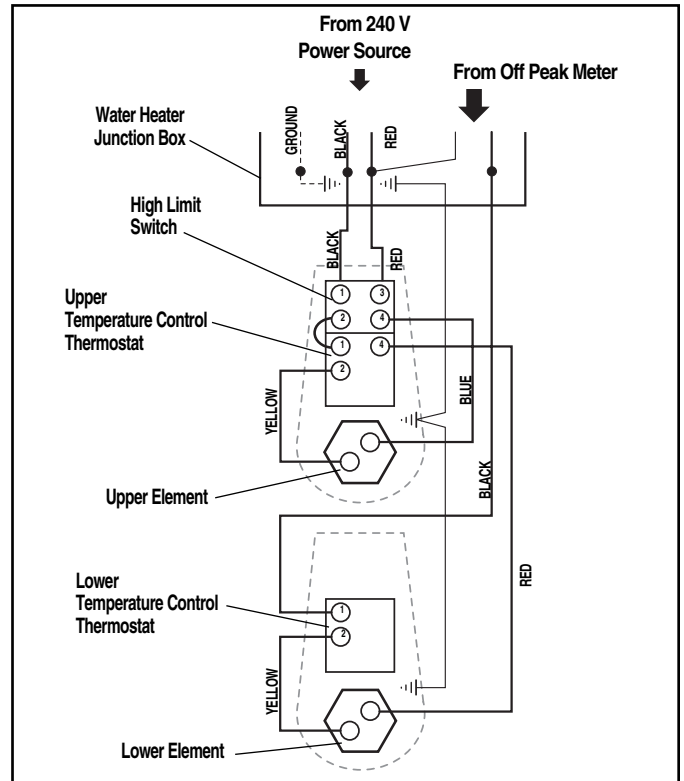


Figure 8 — Complete Wiring Schematic Diagram — Non-Simultaneous Operation on separate Off-Peak Meter.

power supply provided is equivalent to that marked on the water heater's rating plate. All wiring must conform to local codes or, in the absence of local codes, the latest edition of National Electrical Code ANSI/NFPA 70.

The Specification Table (supplied separately with the water heater) recommends minimum branch circuit sizing based on National Electric Code.

The branch circuit wiring must include either:

- A. Metallic conduit or metallic sheathed cable approved for use as a grounding conductor and installed with fittings approved for the purpose. (refer to Figure 5A)
- B. Non-metallic sheathed cable or metallic conduit or metallic sheathed cable not approved for use as a ground conductor shall include a separate conductor for grounding. It should be attached to the ground terminals of the water heater and the electrical distribution box. (Refer to Fig. 5B)

Be sure to follow local and national codes as well as any electric utility requirements when making the connections.

CONNECTING THE WATER HEATER TO A TIME SWITCH OR OFF-PEAK METER — In some installations it may be desired or required by local utility regulations to connect the water heater to a Time Switch or Off-Peak Meter. Refer to Figure 7 or 8 below for complete wiring schematic diagram for standard non-simultaneous operation units installed in conjunction with these energy management devices.

WARNING

Connecting the water heater to a Time Switch or Off-Peak Meter requires splicing or complete replacement of internal wiring. For this reason, it is strongly recommended that this work be performed by a licensed electrician, qualified appliance service person, or utility company representative.

IMPORTANT!! — When connecting the water heater to a Time Switch or Off-Peak Meter, the Black wire from Terminal No. 4 of the

Installation

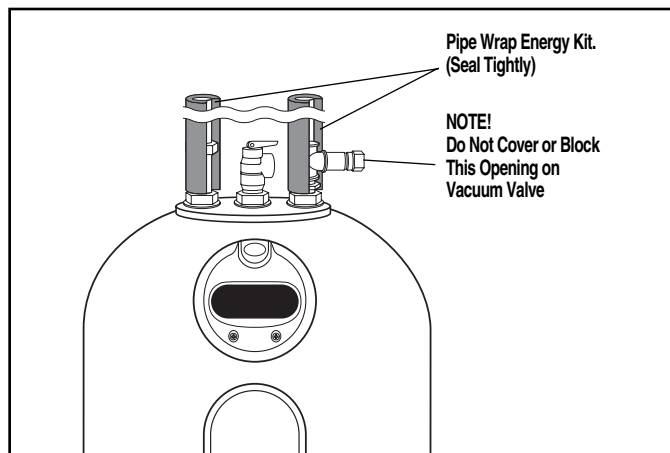


Figure 9 — Pipe Wrap Energy Kit

Limit Switch must be disconnected and replaced totally, or disconnected and joined with a new section of wire using a proper connector. Be sure to follow all local and national codes and electric utility requirements when making the connections.

Dual element water heaters are designed to allow only one element to heat at a time. This method is called non-simultaneous operation and is necessary to avoid overloading the wiring in the house per the National Electrical Code. Off-Peak wiring methods must insure proper use of the high limit control in at least one line to each element and the use of the non-simultaneous feature.

CAUTION

Tank **MUST BE** full of water before power is turned on. Heating elements **WILL BE DAMAGED** if energized for even a short time while tank is dry. The water heater's warranty does not cover damage or failure resulting from operation with an empty or partially empty tank. (Refer to the limited warranty for complete terms and conditions.)

8. **PIPE WRAP ENERGY KIT** — A pipe wrap energy saving kit consisting of two lengths of foam insulation is included with this water heater. To realize maximum energy savings, all exposed pipes should be insulated. However, most of the energy losses occur close to the water heater. This kit is designed to minimize this loss. Install one piece of insulation on the cold water supply line and the other piece on the hot water line. (Refer to Figure 9). Install the pipe wrap as close to the water heater as the installation allows. Make sure fittings are covered and the joint in the pipe wrap is sealed.

The water heater tank is insulated with 2 1/2" of foam insulation to stop heat loss. More insulation is not needed. **DO NOT** install an insulating blanket.

CAUTION

If local codes require external application of insulation blanket kits the manufacturer's instructions included with the kit must be carefully followed.

Application of any external insulation to this water heater will require careful attention to the following:

- Do not cover the temperature and pressure relief valve.
- Do not cover jacket access panels to thermostats and heating elements.
- Do not cover electrical junction box of water heater.
- Do not cover operating or warning labels attached to the water heater nor attempt to relocate them on exterior of insulation blanket.

WARNING

The manufacturer's warranty does not cover any damage or defect caused by installation, attachment or use of any type of energy saving or other unapproved devices (other than those authorized by the manufacturer) into, onto or in conjunction with the water heater. The use of unauthorized energy saving devices may shorten the life of the water heater and may endanger life and property. The manufacturer disclaims any responsibility for such loss or injury resulting from the use of such unauthorized devices.

Installation Check List

A. Water Heater Location

- Close to area of heated water demand.
- Indoors and protected from freezing temperatures.
- Area free of flammable vapors.
- Provisions made to protect area from water damage.
- Sufficient room to service water heater.

B. Water Supply

- Water heater completely filled with water.
- Water heater and piping air vented.
- Water connections tight and free of leaks.

C. Relief Valve

- Temperature and Pressure Relief Valve properly installed and discharge line run to open drain.
- Discharge line protected from freezing.

D. Wiring

- Power supply voltage agrees with water heater rating plate.
- Branch circuit wire and fusing or circuit breaker of proper size.
- Electrical connections tight and unit properly grounded.

Model No. _____ Serial No. _____ Date of Installation _____ Installed By: _____

Operation

SAFETY PRECAUTIONS

- A. **Do** turn off power to water heater if it has been subjected to over heating, fire, flood or physical damage.
- B. **Do Not** turn on water heater unless it is completely filled with water.
- C. **Do Not** turn on water heater if cold water supply shut-off valve is closed.
- D. If there is any difficulty in understanding or following the OPERATION or MAINTENANCE instructions, it is recommended that a qualified person or serviceman perform the work.



NEVER use this water heater unless it is completely full of water. To prevent damage to the tank and heating elements the tank must be filled with water. Water must flow from the hot water faucet(s) before turning power "ON"

1. WATER TEMPERATURE SETTING AND THERMAL PERFORMANCE

Water heaters see a wide range of applications. Some of the most challenging are those involved in thermal storage, tempering valves or large volumes of heated water used for cleaning and sanitizing.

Achieving satisfactory service from a water heater in these applications is critical. The solution is found in understanding the operation of the typical water heater. In a dual element water heater, the upper thermostat is given priority and will operate first when the tank is completely cold. By operating first, a small amount of hot water is available quickly. When the upper thermostat is satisfied, the electrical current is switched to the lower thermostat. As the lower element begins to heat the water above it, energy (heat) is also being put into the water at the very top of the tank. If the upper thermostat is set at, or very near its upper limit, the temperature at the top of the tank can possibly be elevated to the point of tripping the T & P valve or the Thermal Cut-Out on the upper thermostat. In either case, the mechanisms sense temperatures beyond the predetermined limit and activate to lower the temperature. In other words, they do their job.

Reliable performance can be achieved in most applications if the upper thermostat is left at the factory set temperature of 120°F. During heavy water usage, the upper thermostat will provide a limited amount of hot water quickly. The temperature of this water at the factory set temperature will satisfy most household needs. After the upper thermostat is satisfied, the lower thermostat will then heat all of the water in the tank to its desired setting. This temperature setting method will not increase the total heating time or reduce the final temperature of the water in the tank. For normal applications it is recommended that the upper thermostat be left at the factory set temperature of 120°F and all water temperature adjustments be made at the lower thermostat only.

If an application requires adjustment of the upper thermostat, it can be adjusted by following the instructions in the "Resetting the Thermostat" section later in this manual. To achieve the most consistent operation, have the upper thermostat adjusted 10 to 15 degrees below the setting of the lower thermostat. This will reduce the "stacking" effect inside the water heater, but will still allow the water heater to produce water at the desired temperature.

Caution is important in installations where very high water temperatures are needed for a required application. Water at high temperatures can quickly cause severe scalding, especially in children or elderly people. It is strongly recommended that great care be taken to prevent scalding. A tempering valve must be used in any area used for washing or bathing, and where access is available to the elderly or children. We also recommend that the thermostats be set at the lowest possible setting to meet the application. Please refer Thermostat Setting section of this manual for additional information and recommendations.

One other reminder is to be sure that the T & P Valve is properly installed. It is a plumbing code requirement in most parts of the country to plumb the T & P Valve to discharge within six inches of the floor. This is clearly described in the Installation section of this manual. Failure to do this is not only a violation of the plumbing code, but a safety hazard for anyone near the water heater in the event the T & P discharges. Not having the T & P plumbed with a drain line also allows water to be potentially discharged onto the top of the water heater if the valve opens. The consequence of this could be inaccurate temperature sensing by the thermostats, if they are cooled by the discharged water as it evaporates. Another negative result could be saturated insulation, which would waste energy, be the source of a high bill complaint and reduce the insulation's ability to support the tank.

In conclusion, non-metallic water heaters are designed and built to provide years of service. Having them properly installed and accurately adjusted is essential if they are to perform reliably in the many challenging applications in which they are installed.

- 2. **WATER TEMPERATURE SETTING** — To comply with safety regulations the thermostats are factory set at 120° F. or less where local codes require, and is usually sufficient for most household needs.

Maximum water temperatures occur just after the elements have shut off. To find out exact temperature of the water being delivered, turn on a hot water faucet and allow it to run until maximum temperature is reached, then insert a thermometer in the water stream and read the temperature.

Safety and energy conservation are factors to be considered when selecting the water temperature setting of the water heater's thermostats. The lower the temperature setting the greater the safety and savings in energy and operating costs. If a different temperature setting is desired, read and follow the following warnings and instructions.



There is a Hot Water SCALD Potential if the thermostat is set too high.

NOTE: Households with small children or invalids may require a 120° F. or lower thermostat setting to prevent contact with "HOT" water.

Mixing valves for reducing point of use water temperature by mixing hot and cold water in branch water lines are available. Contact a licensed plumber of the local plumbing authority for further information.

The following chart may be used as a guide in determining the proper water temperature for your home.

Operation

TIME / TEMPERATURE RELATIONSHIPS IN SCALDS

Temperature	Time to Produce Serious Burn
120° F.	More than 5 minutes
125° F.	1½ to 2 minutes
130° F.	About 30 seconds
135° F.	About 10 seconds
140° F.	Less than 5 seconds
145° F.	Less than 3 seconds
150° F.	About 1½ seconds
155° F.	About 1 second

Table courtesy of Shriners Burn Institute

RESETTING THE UPPER THERMOSTAT — It is recommended that the upper thermostat remain at the factory setting for most normal applications. All water temperature adjustments should be made at the lower thermostat. If your application requires adjustment of the upper thermostat, it can be changed as follows:

! DANGER

Make certain power to water heater is OFF before removing jacket access panel(s) FOR ANY REASON. Failure to do so could result in property damage, bodily injury or death!

- A. Remove the upper thermostat snap-in access panel cover. Insert finger into latch hole on the bottom of the cover, and push up to release the latch. Then pull forward to remove the cover and insulation. (See figure 10.)

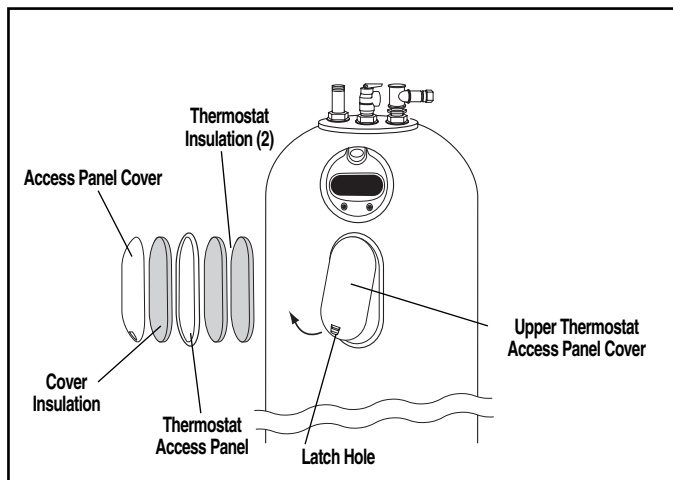


Figure 10 — Removing Upper Thermostat Access panel.

- B. Remove the four (4) screws securing the thermostat access panel and the two (2) thermostat insulation pads, exposing the thermostat. The plastic personnel protector *should not be removed*.
- C. With a small screwdriver, adjust the thermostat setting. This thermostat is marked LOW / MED / HI. The 120°F factory set position (the recommended setting) is at the 5 o'clock position (Refer to Figure 11). The temperature settings range from approximately 110°F (LOW) to approximately 170°F (HI). The MED position results in approximate water temperature of 140° F.
- D. Replace the two (2) pieces of fiberglass insulation over the thermostat and attach the thermostat access panel.

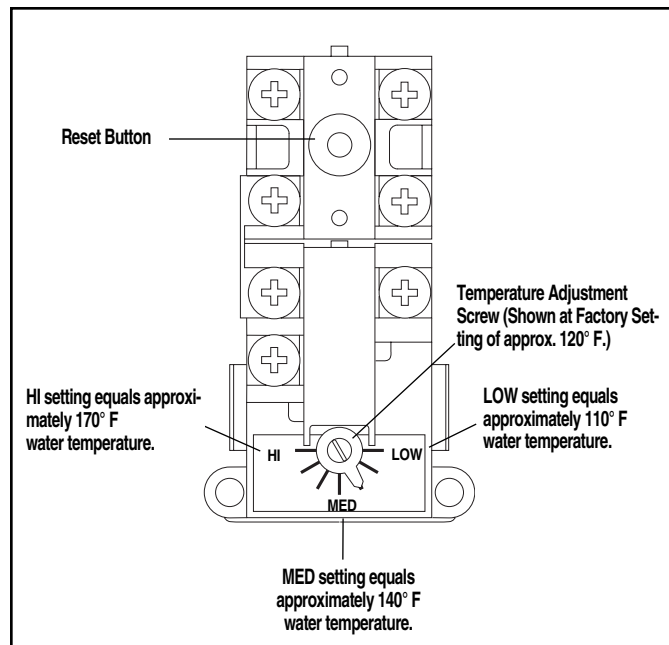


Figure 11 — Upper Thermostat temperature adjustment.

- E. Replace the single piece of fiberglass insulation inside the thermostat access panel cover and snap in position.

NOTE: It is important that the fiberglass insulation is replaced to maintain the water heater's high energy efficiency performance.

RESETTING THE LOWER THERMOSTAT — It is recommended that any water temperature adjustment be made at the lower thermostat only. If your application requires adjustment of the lower thermostat, it can be changed as follows:

! DANGER

Make certain power to water heater is OFF before removing jacket access panel(s) FOR ANY REASON. Failure to do so could result in property damage, bodily injury or death!

- A. Remove the lower thermostat snap-in access panel cover. Insert finger into latch hole on the bottom of the cover, and push up to release the latch. Then pull forward to remove the cover and insulation. (See Figure 12.)

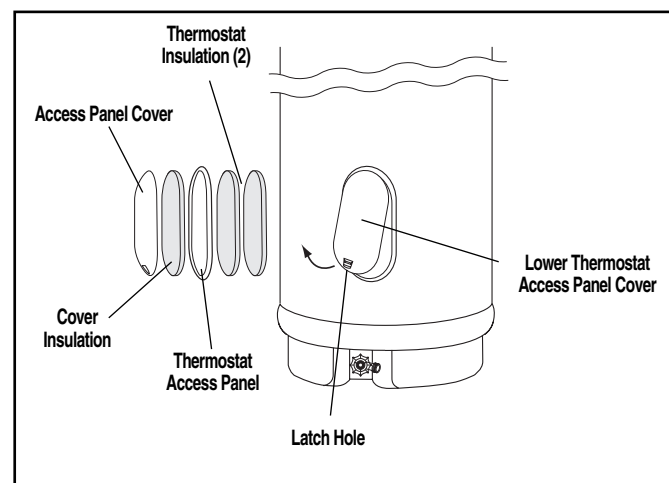


Figure 12 — Removing Lower Thermostat Access panel.

Operation

- B. Remove the four (4) screws securing the thermostat access panel and the two (2) thermostat insulation pads, exposing the thermostat. The plastic personnel protector **should not be removed**.
- C. With a small screwdriver, adjust the thermostat setting. This thermostat is marked in degrees from 110°F to 170°F. The thermostat is factory set to the 120°F position (the recommended setting). (Refer to Figure 13).

CAUTION

The cause of the High Temperature Condition must be investigated by qualified service personnel and corrective action taken before placing the water heater in service again.

To reset High Limit Switch, **turn off** power to water heater, remove upper jacket access panel and insulation, and the access panel and insulation to expose the Thermostat and High Limit Switch. (Refer to Figure 10.) **The plastic personnel protector SHOULD NOT be removed.** Press the "RESET" button (see Figure 14). Replace insulation and jacket access panel(s) before turning on power to water heater.

4. EMERGENCY INSTRUCTIONS —

WARNING

If water heater has been subjected to flood, fire, or physical damage, turn off power and water to water heater. Do not operate the water heater again until it has been thoroughly checked by qualified service personnel.

- 5. **VACATION AND LONG TIME SHUT-DOWN** — If the water heater is to remain idle for an extended period of time, the power and water to the water heater should be turned off to conserve energy. The water heater and piping should be drained if they might be subjected to freezing temperatures.

After a very long shut-down period, the water heater's operation and controls should be checked by qualified service personnel. Make certain the water heater is completely filled before again placing it in operation.

6. DRAINING THE WATER HEATER —

CAUTION

Always shut off power to water heater before draining water.

In order to drain water heater, turn off the power supply, then turn off cold water supply. Next, it is necessary to open a hot water faucet or lift the handle on the relief valve to admit air to the tank, and KEEP OPEN. Attach a garden hose to the drain valve on the water heater, and open the valve. Direct the stream of water to a drain where it will do no damage. (See Figure 15).

DANGER

The water drained from the tank may be hot enough to present a SCALD HAZARD and should be directed to a suitable drain to prevent injury or damage.

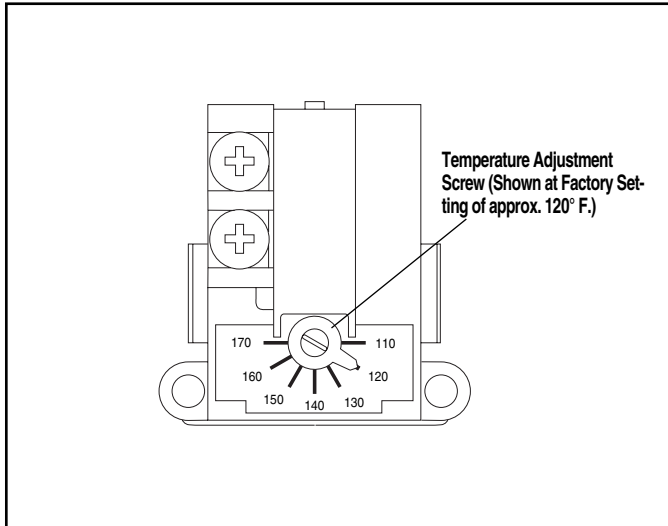


Figure 13 — Lower Thermostat temperature adjustment.

- D. Replace the two (2) pieces of fiberglass insulation over the thermostat and attach the thermostat access panel.
- E. Replace the single piece of fiberglass insulation inside the thermostat access panel cover and snap in position.

NOTE: It is important that the fiberglass insulation is replaced to maintain the water heater's high energy efficiency performance.

- 3. **SAFETY CONTROLS** — The water heater is equipped with a combination Thermostat and High Temperature Limit Switch that is located above the upper heating element. If for any reason the water temperature becomes excessively high, the Limit Switch breaks the power circuit to the heating element. Once the control opens, it must be reset manually.

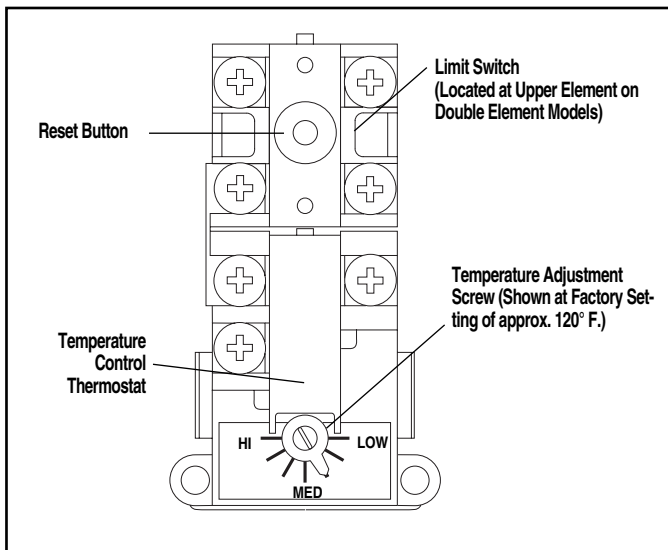


Figure 14 — Upper Thermostat & High Limit Switch

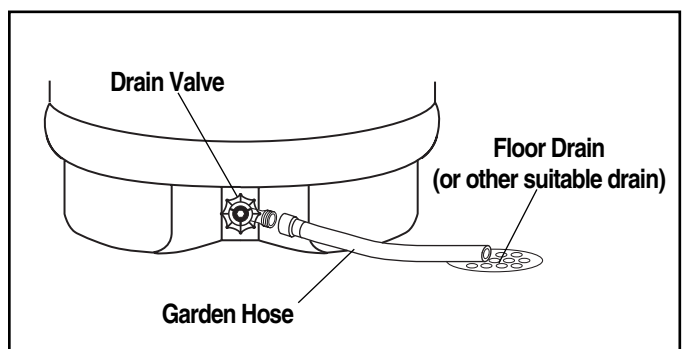


Figure 15 — Draining the Tank

Maintenance

Properly maintained, your new, non-metallic water heater will provide years of dependable trouble-free service. It is suggested that a routine preventive maintenance program be established and followed by the user. It is further recommended that a periodic inspection of the operating controls, heating element and wiring should be made by service personnel qualified in electric appliance repair.

1. ROUTINE PREVENTATIVE MAINTENANCE

- A. Most electrical appliances make some sound when in operation, even when new. If the hissing or singing sound level increases excessively, the electric heating element may require cleaning. Contact your installer or plumbing contractor to inspect.
- B. The area near the water heater must be kept free of flammable liquids such as gasoline or paint thinners, adhesives or other combustible materials.
- C. At least once a year, lift and release the lever handle on the temperature pressure relief valve, located on top of the water heater, to make certain the valve operates freely and allow several gallons to flush through discharge line (see Figure 16). Make certain the discharged water is directed to an open drain.

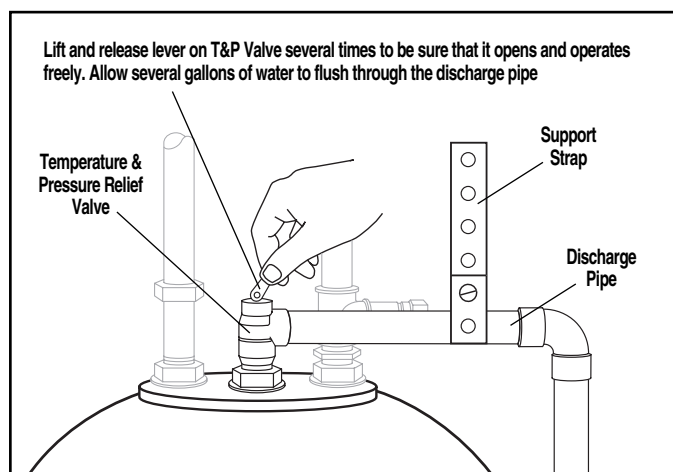


Figure 16 — Manually Operating the Temperature and Pressure Relief Valve

⚠ DANGER

Before manually operating the relief valve, make certain no one will be exposed to the danger of coming in contact with the hot water released by this valve. The water may be hot enough to create a SCALD hazard. The water released should be directed to a suitable drain to prevent injury or damage.

NOTE: If the temperature and pressure relief valve on the water heater discharges periodically, this may be due to thermal expansion in a “Closed” water system. Contact the water supplier or your plumbing contractor on how to correct this. **DO NOT** plug the relief valve outlet.

- D. A water heater’s tank can act as a settling basin for solids (sand, silt, dirt and mineral scale) suspended in the water. It is, therefore, not uncommon for these deposits to accumulate in the bottom of the tank. It is suggested that a few quarts of water be drained from the water heater’s tank ONCE EVERY MONTH to clean the tank of these deposits. (See Figure 15)
- E. Rapid closing of faucets or solenoid valves in automatic water using

appliances can cause a pounding “water hammer” sound. “Water hammer” can be described as a banging noise heard in a water pipe following an abrupt alteration of the flow with resulting pressure surges. Strategically located risers in the water pipe system can be used to minimize the problem. Also water hammer arresting devices are usually available from your plumber or local plumbing supply store.

2. REPLACING THE TEMPERATURE & PRESSURE RELIEF VALVE —

If the Temperature and Pressure Relief Valve should ever need replacing, use only a valve specified by local codes, but not less than a new combination temperature and pressure relief valve, complying with the Standard for Relief Valves and Automatic Gas Shutoff Devices for Hot Water Supply Systems, ANSI Z21.22. The pressure rating of the relief valve must not exceed 150 PSI, the maximum working pressure of the water heater as marked on the rating plate. The BTUH Rating of the relief valve must not be less than the input rating of the water heater as indicated on the rating label located on front of the heater (1 watt = 3.412 BTUH).

⚠ CAUTION

Before starting to replace the Temperature & Pressure Relief Valve, be sure to turn the power supply to the water heater “OFF” at the electrical distribution panel.

- A. With the power supply turned “OFF”, close the shut-off valve installed in the cold water supply pipe.
- B. Open a nearby hot water faucet and KEEP OPEN.
- C. Fasten a length of garden hose to the drain valve. Place the other end of the hose at a floor drain, or other suitable location. (See Figure 15)
- D. Open the drain valve for about a minute or until the water level in the tank is below the relief valve.

⚠ DANGER

The water drained from the tank may be hot enough to present a SCALD HAZARD and should be directed to a suitable drain to prevent injury or damage.

- E. Remove the discharge pipe from the relief valve, then remove the old relief valve (see Figure 3 on pg. 4). Use two wrenches, one to hold the union hex nut on the heater, and one to remove the relief valve. NEVER use just one wrench! Doing so can damage the tank beyond repair.
- F. Be sure a seal ring is inside the center (relief valve) union hex nut. Use factory seal washers only. DO NOT use sealants with seal ring washers! Next, turn the valve into the union fitting on the tank. Face the relief valve outlet in a direction of the old valve. Hold the valve in place and tighten the union hex nut.

IMPORTANT!! Do not apply heat directly to the relief valve connection. If sweat connections are used, sweat tubing to adapter before fitting adapter to relief valve on heater. Any heat applied to the relief valve will permanently damage it and/or the tank.

- G. Install the discharge pipe to the new relief valve. (see Figure 3 on pg. 4).
- H. Open the cold water supply shut-off valve. When water from hot water faucet opened earlier runs smooth, with no more air bubbles, close the faucet.
- I. Turn the electric power on to place the water heater in service again.

⚠ CAUTION

Be sure the water heater is completely filled with water before turning on electric power.

Maintenance

3. HEATING ELEMENTS —

Most water supplies will cause scale or mineral deposits to form on the heating elements. As the scale forms, it gets increasingly harder for the element to heat water. If you hear a rumbling noise coming from the water heater, it is probably caused by scale build up on the elements. Element life can be lengthened by installing a water softener or other water treating equipment that removes most of the minerals that cause scale.

TO REPLACE BURNED OUT ELEMENTS —

IMPORTANT! — The elements used in the lower element position are different than those in the upper position. It is important to note that STANDARD REPLACEMENT ELEMENTS WILL NOT FIT THIS WATER HEATER! Proper replacement elements are available at your local retail outlet or service center. Be sure to refer to parts illustration supplied with the heater for proper identification of replacement elements. Care must be taken to insure that the correct element is being used. The tank warranty may be voided if the wrong element is used.

CAUTION

Before starting to remove an Element, be sure to turn the power supply to the water heater "OFF" at the electrical distribution panel.

- A. With the power supply turned "OFF", close the shut-off valve installed in the cold water supply pipe.
- B. Open a nearby hot water faucet and KEEP OPEN.
- C. Fasten a length of garden hose to the drain valve. Place the other end of the hose at a floor drain, or other suitable location. (See Fig. 15.)
- D. Open the drain valve and drain the heater until the water level in the tank is below the element needing replacement.

DANGER

The water drained from the tank may be hot enough to present a SCALD HAZARD and should be directed to a suitable drain to prevent injury or damage.

- E. Close the drain valve and remove the hose.
- F. Remove the thermostat snap-in access panel cover. Insert finger into latch hole on the bottom of the cover, and push up to release the latch. Then pull forward to remove the cover and insulation. Remove the four (4) screws securing the thermostat access panel and the two (2) thermostat insulation pads, exposing the thermostat. (See Figure 17.)

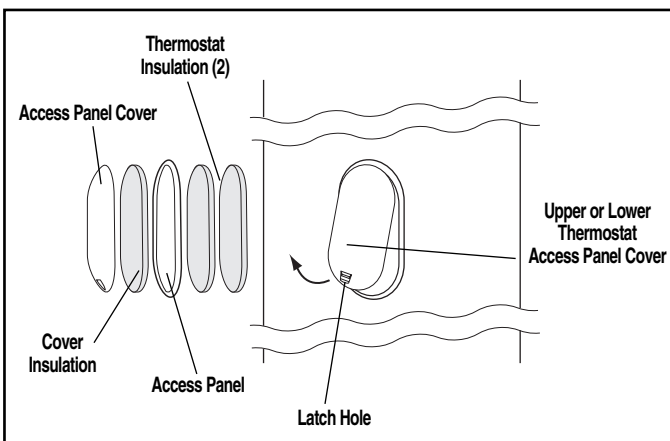


Figure 17 — Removing Access panel for replacement of element.

- G. To expose the element for removal, lift up the hinged portion of the thermostat protective cover by gently pulling the lower corners up and away from the thermostat. Be careful to avoid pulling the thermostat from its mounting bracket, or bending the thermostat bracket.
- H. After again insuring that the electrical power is off, disconnect the two wires from the element terminals. (See Figure 18).

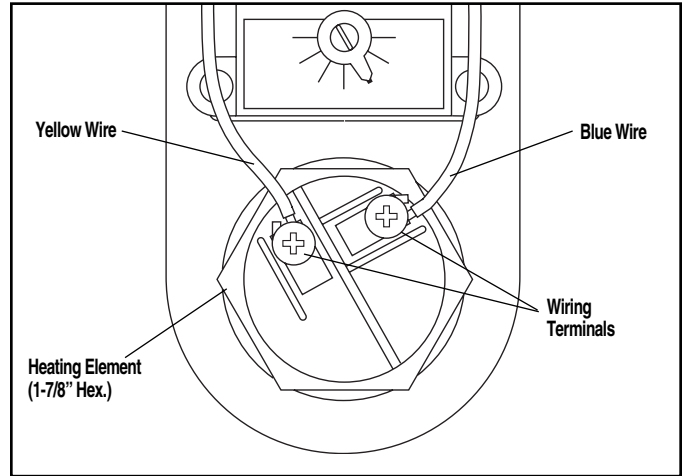


Figure 18. — Typical Element Wiring (upper or lower element position).

- I. With wires removed from the element terminals, remove the old element by turning it counterclockwise (Ⓢ) using a 1 $\frac{7}{8}$ " wrench or socket.
 - J. With a new gasket in place, install and tighten the new element.
- NOTE: Be sure the gasket sealing surface is clean. Wet the new gasket with water to lubricate and make a good seal.**
- K. Close the water heater drain valve and completely fill tank with water. Check the element for leaks. Repair any leaks as needed.
 - L. Reconnect wiring to the terminals on the element (see Figure 18).

WARNING

Failure to properly tighten element terminal screws can cause a fire which can result in property damage, bodily injury or death.

- M. Lower the hinged portion of the thermostat protective cover to cover the element and its wiring connections.

WARNING

Make sure the thermostat is flush against the thermostat mounting plate, and the protective cover is in place before replacing the insulation pads and access cover. Failure to do so can result in property damage, bodily injury or death.

- N. Replace the two pieces of fiberglass insulation over the thermostat and attach the thermostat access panel. Replace the single piece of insulation in the thermostat access panel cover and snap it into position.
- O. Turn on the electrical power supply to bring the heater into service again.

CAUTION

Tank **MUST BE** full of water before power is turned on. Heating element(s) **WILL BE DAMAGED** if energized for even a short time while tank is dry. The water heater's warranty does not cover damage or failure resulting from operation with an empty or partially empty tank. (Reference is made to the limited warranty for complete terms and conditions.)

Maintenance

4. VACATION AND LONG TIME SHUTDOWN —

If the water heater is installed where it could freeze (summer cabin, lake home, etc.) you must drain all water from it and the piping. If the tank is full of water and it freezes, the tank will break. Freeze damage is not covered by the warranty!

DRAINING THE WATER HEATER —

CAUTION

Always shut off power to water heater before draining water.

In order to drain water heater, turn off the power supply, then turn off cold water supply. Next, it is necessary to open a hot water faucet or lift the handle on the relief valve to admit air to the tank, and KEEP OPEN. Attach a garden hose to the drain valve on the water heater, and open the valve. Direct the stream of water to a drain where it will do no damage. (See Figure 19).

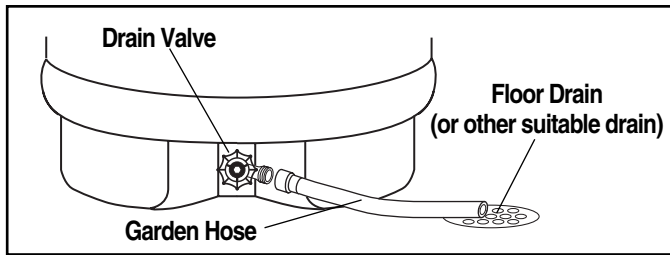


Figure 19 — Draining the Tank

DANGER

The water drained from the tank may be hot enough to present a SCALD HAZARD and should be directed to a suitable drain to prevent injury or damage.

When preparing to place the water heater in service again, be sure to completely fill the tank with water before turning the power on.

CAUTION

Tank **MUST BE full of water before power is turned on. Heating element(s) WILL BE DAMAGED if energized for even a short time while tank is dry. The water heater's warranty does not cover damage or failure resulting from operation with an empty or partially empty tank. (Reference is made to the limited warranty for complete terms and conditions.)**

After a very long shut-down period, the water heater's operation and controls should be checked by a qualified service technician.

WARNING

If water heater has been subjected to flood, fire, or physical damage, turn off power and water to water heater. Do not operate the water heater again until it has been thoroughly checked by qualified service personnel.

Trouble Shooting Guide

NATURE OF TROUBLE	POSSIBLE CAUSE	SERVICE
No Hot Water	<ol style="list-style-type: none"> Manual disconnect switch turned off Improper Wiring No Power — blown fuse or circuit breaker tripped <ol style="list-style-type: none"> Shorted wiring Circuit overloaded Improper wiring Grounded element or thermostat Manual Reset High Limit Switch (ECO) open <ol style="list-style-type: none"> Thermostat(s) defective Thermostat out of calibration Heat build-up due to loose wires Defective High Limit Switch (ECO) 	Turn to ON ** Rewire per Wiring Diagram Replace fuse or reset breaker ** Replace or repair ** Provide adequate circuit or reduce load ** Rewire per diagram ** Replace Refer to "Operation Section" ** Replace ** Lower setting or replace ** Tighten wire connections ** Replace
Not enough Hot Water	<ol style="list-style-type: none"> Heater undersized Defective Element(s) Miswired or defective thermostat causing only one element to work 	Reduce rate of hot water use ** Check amperage, replace element if low ** Check wiring or replace
Water too hot or not hot enough	<ol style="list-style-type: none"> Thermostat setting too high or low Thermostat out of calibration 	Change setting as required ** Replace (continued)

CAUTION

** For your safety, DO NOT attempt repair of Electrical Wiring, Thermostat(s), Heating Elements or other Operating Controls. Refer repairs to qualified service personnel.

Trouble Shooting Guide (cont'd)

NATURE OF TROUBLE	POSSIBLE CAUSE	SERVICE
Water too hot or not hot enough (cont'd)	3. Thermostat access panel(s) and/or insulation not in place 4. Thermostat(s) not resting tightly against mounting plate	Inspect and replace as needed Inspect and insure that retaining spring(s) or mounting screws hold thermostat(s) tightly to mounting plates.
Noisy heating element(s)	1. Scale build-up on elements	** Remove and clean
Water Leaks	1. Loose connection between inlet/outlet piping, relief valve or drain valve and hex nut union on tank fittings. 2. Damaged seal ring washer. 3. Gasket around heating element(s)	Tighten hex nut union fitting. Replace seal rings as required Inspect and replace gasket if needed.

⚠ CAUTION

** For your safety, DO NOT attempt repair of Electrical Wiring, Thermostat(s), Heating Elements or other Operating Controls. Refer repairs to qualified service personnel.


NOTICE

FOR INSTALLATIONS IN THE STATE OF CALIFORNIA

California Law requires that residential water heaters must be braced, anchored or strapped to resist falling or horizontal displacement due to earthquake motions. For residential water heaters up to 52 gallon capacity, a brochure with generic earthquake bracing instructions can be obtained from:

OFFICE OF THE STATE ARCHITECT
400 P Street
Sacramento, CA 95814
Telephone: (916)324-5315

or, ask a water heater dealer. However, applicable Local Codes shall govern installations. (For residential water heaters of capacity greater than 52 gallons, consult the local building jurisdiction for acceptable bracing installations)

⚠ CALIFORNIA PROPOSITION 65 WARNING: This product contains chemicals known to the State of California to cause cancer, birth defects or other reproductive harm.

Water Heater Innovations, Inc.
 3107 Sibley Memorial Highway
 Eagan, Minnesota 55121
 Phone (651)688-8827 FAX (651)688-6615

A  Subsidiary